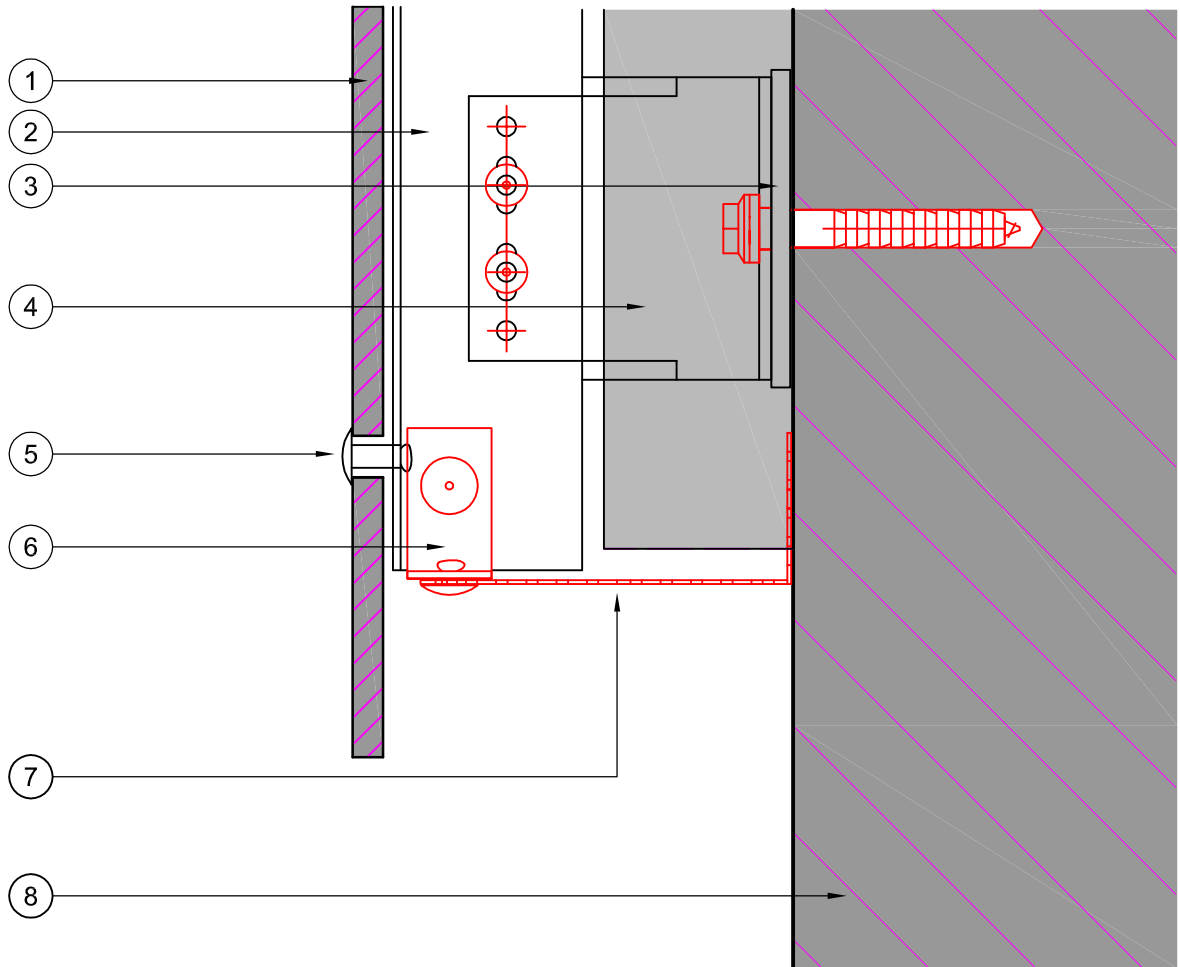


# Legend

- 1 EQUITONE Panel
- 2 Vertical profile
- 3 Thermostop
- 4 Angle bracket
- 5 Equitone UNI-Rivet
- 6 Additional angle piece fixed to rails to support vent angle for wide cavities
- 7 Vent angle piece
- 8 Main Structure



**EQUITONE DETAILS**    EQUITONE PANEL / METAL SUBFRAME

**DRAWING TITLE**    BASE DETAIL

<b>REF</b>	<b>DATE</b> 2016_06	<b>SCALE</b> 1:2
------------	---------------------	------------------

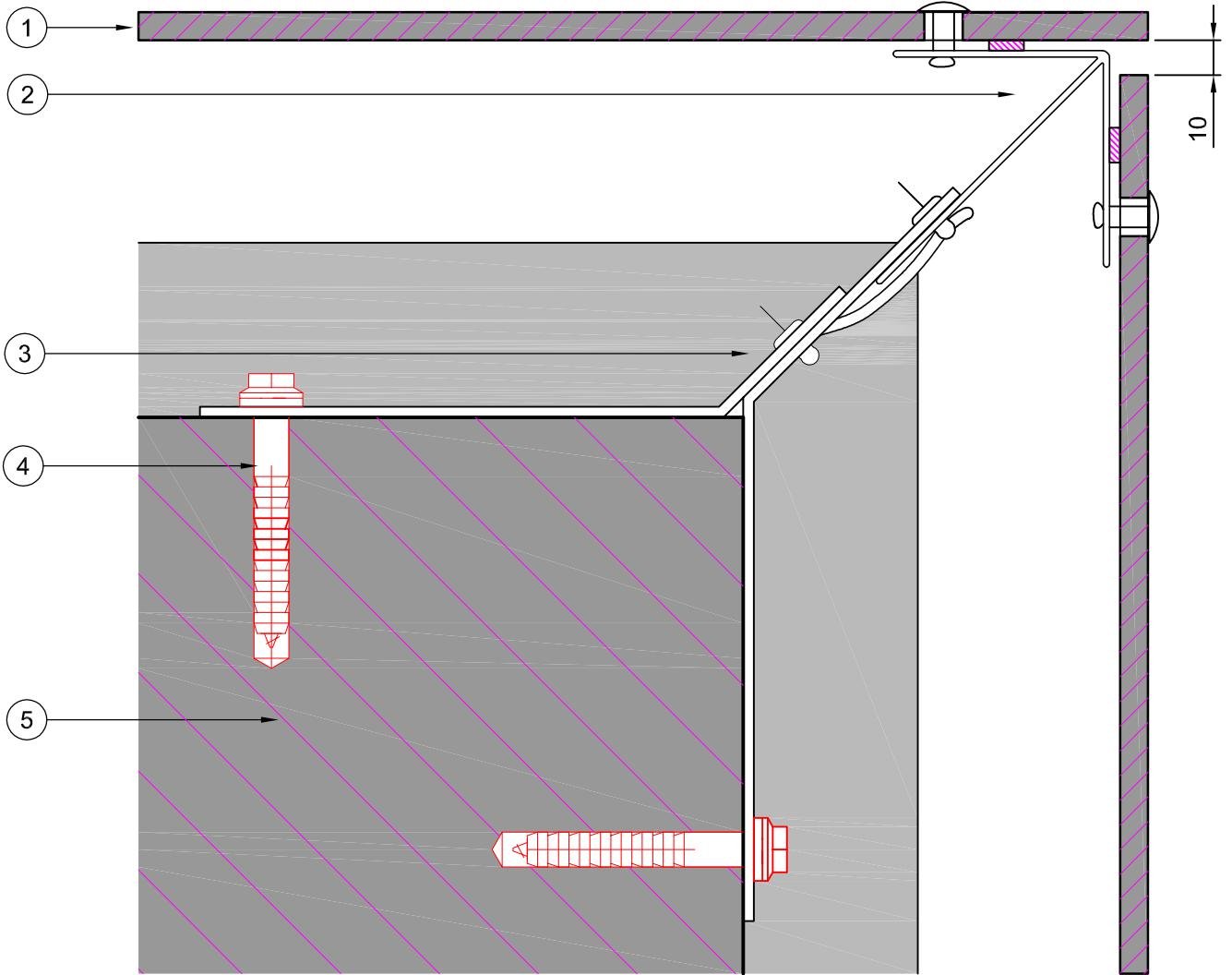
Copyright  
This information is supplied in good faith but no liability can be accepted for any loss or damage resulting from use.

**EQUITONE**  
Fibre cement facade materials

# Legend

- 1 EQUITONE Panel
- 2 Corner profile
- 3 Corner angle bracket
- 4 Anchor fixing (to suit wall)
- 5 Main structure

Joints between the corner profile to line in with the joints to the main vertical L and T profile



**EQUITONE DETAILS**    EQUITONE PANEL / METAL SUBFRAME

**DRAWING TITLE**    EXTERNAL CORNER DETAIL

**REF**    **DATE**    2016\_06    **SCALE**    1:2

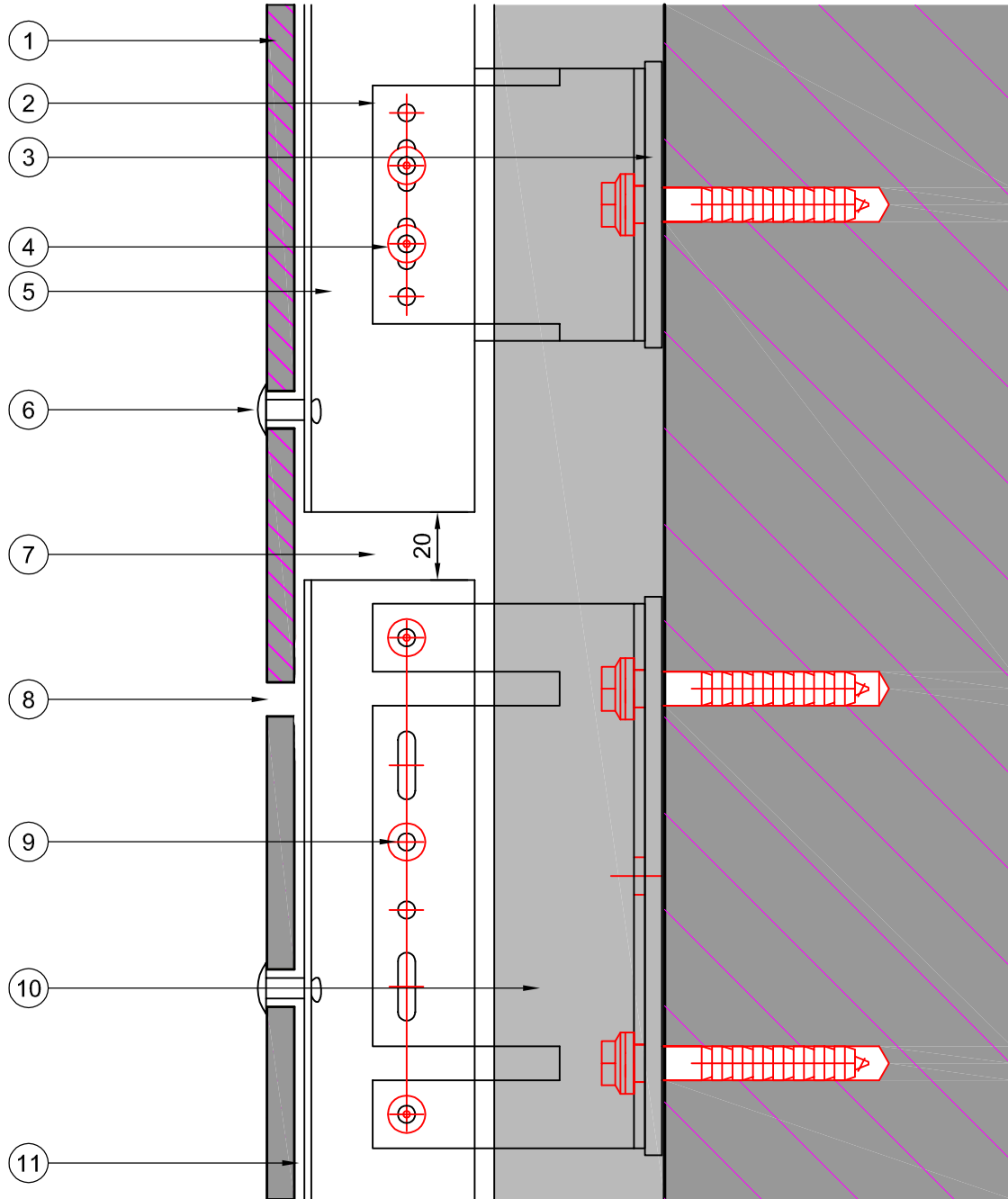
Copyright  
This information is supplied in good faith but no liability can be accepted for any loss or damage resulting from use.

**EQUITONE**  
Fibre cement facade materials

# Legend

- 1 EQUITONE Panel
- 2 Glide point bracket
- 3 Thermostop
- 4 Glide point rivet or screw
- 5 Vertical L or T profile
- 6 EQUITONE UNI-Rivet
- 7 Expansion gap between rails
- 8 Horizontal joint between panels
- 9 Fixed point - Rivet / Screw
- 10 Fixed point bracket
- 11 Expandable foam tape

Glide point bracket - fix profile via slots  
Fix point bracket - fix profile via holes



**EQUITONE DETAILS** EQUITONE PANEL / METAL SUBFRAME

**DRAWING TITLE** JOINT BETWEEN PROFILES

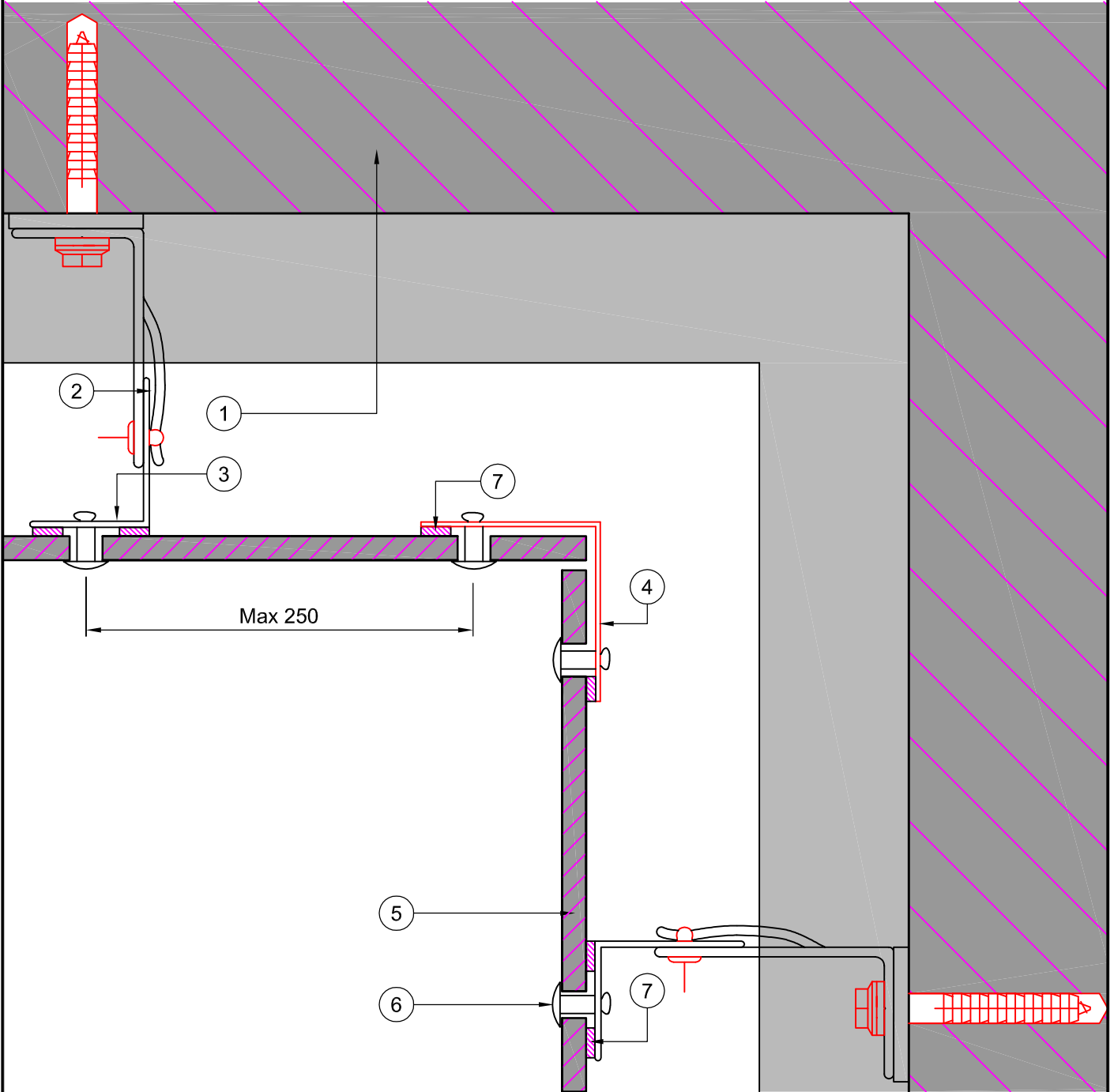
<b>REF</b>	<b>DATE</b> 2016_06	<b>SCALE</b> 1:2
------------	---------------------	------------------

Copyright  
 This information is supplied in good faith but no liability can be accepted for any loss or damage resulting from use.

**EQUITONE**  
 Fibre cement facade materials

# Legend

- 1 Structural wall
- 2 Angle Bracket
- 3 L profile
- 4 60x60mm angle profile
- 5 EQUITONE Panel
- 6 EQUITONE UNI-Rivet
- 7 Expandable foam tape



<b>EQUITONE DETAILS</b>		EQUITONE PANEL / METAL SUBFRAME	
<b>DRAWING TITLE</b>		INTERNAL CORNER	
<b>REF</b>	<b>DATE</b>	2016_06	<b>SCALE</b> 1:2



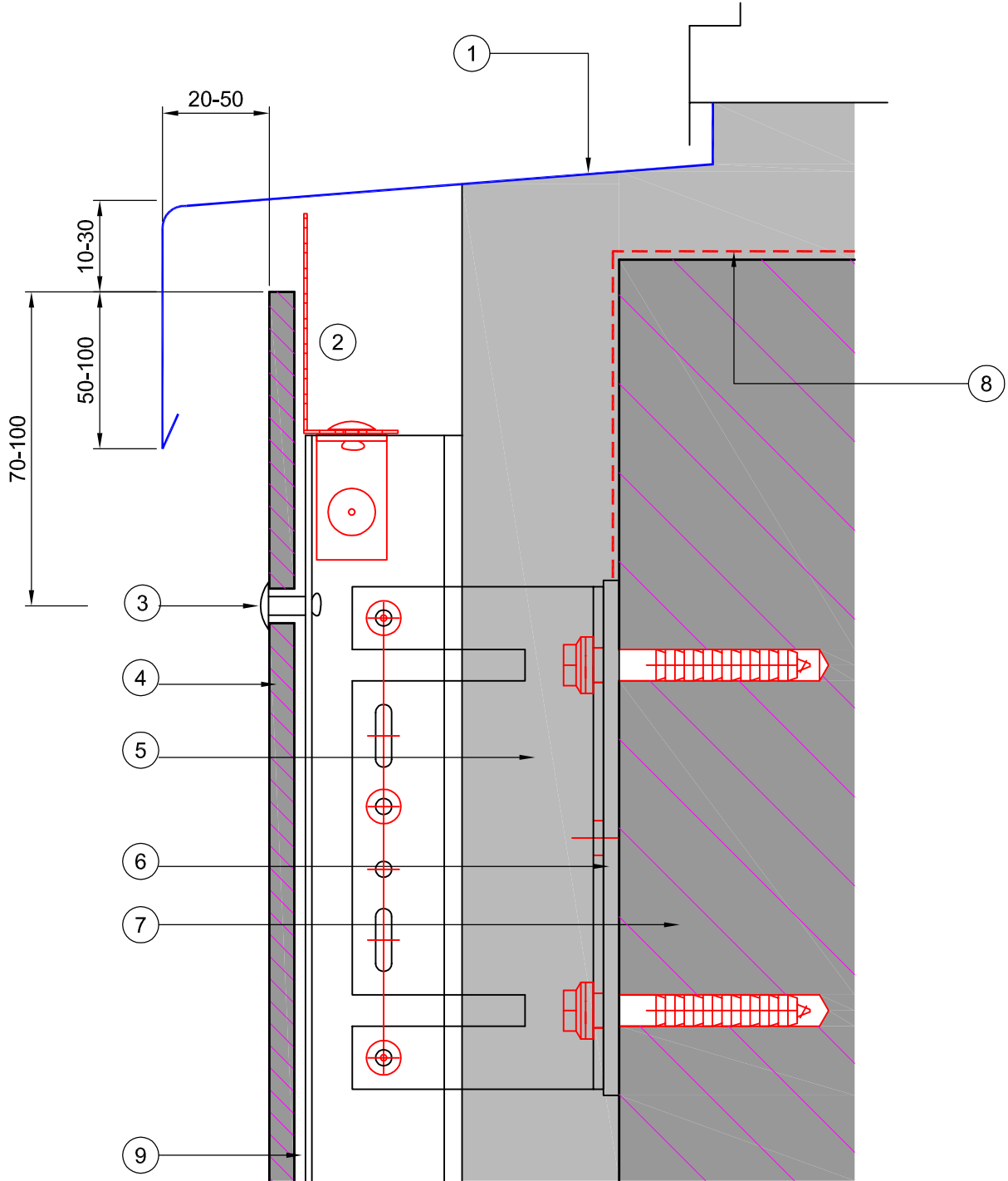
**EQUITONE**  
Fibre cement facade materials

Copyright  
This information is supplied in good faith but no liability can be accepted for any loss or damage resulting from use.

# Legend

- 1 Window cill (by others)
- 2 Perforated profile for wide gaps
- 3 EQUITONE UNI-Rivet
- 4 EQUITONE Panel
- 5 Angle bracket
- 6 Thermostop
- 7 Structural wall
- 8 Window cill DPC
- 9 Expandable foam tape

Dimensions for cill dependant on wall height,  
site exposure and ventilation requirement



**EQUITONE DETAILS**    EQUITONE PANEL / METAL SUBFRAME

**DRAWING TITLE**        WINDOW CILL DETAIL

<b>REF</b>	<b>DATE</b> 2016_06	<b>SCALE</b> 1:2
------------	---------------------	------------------

Copyright  
This information is supplied in good faith but no liability can be accepted for any loss or damage resulting from use.

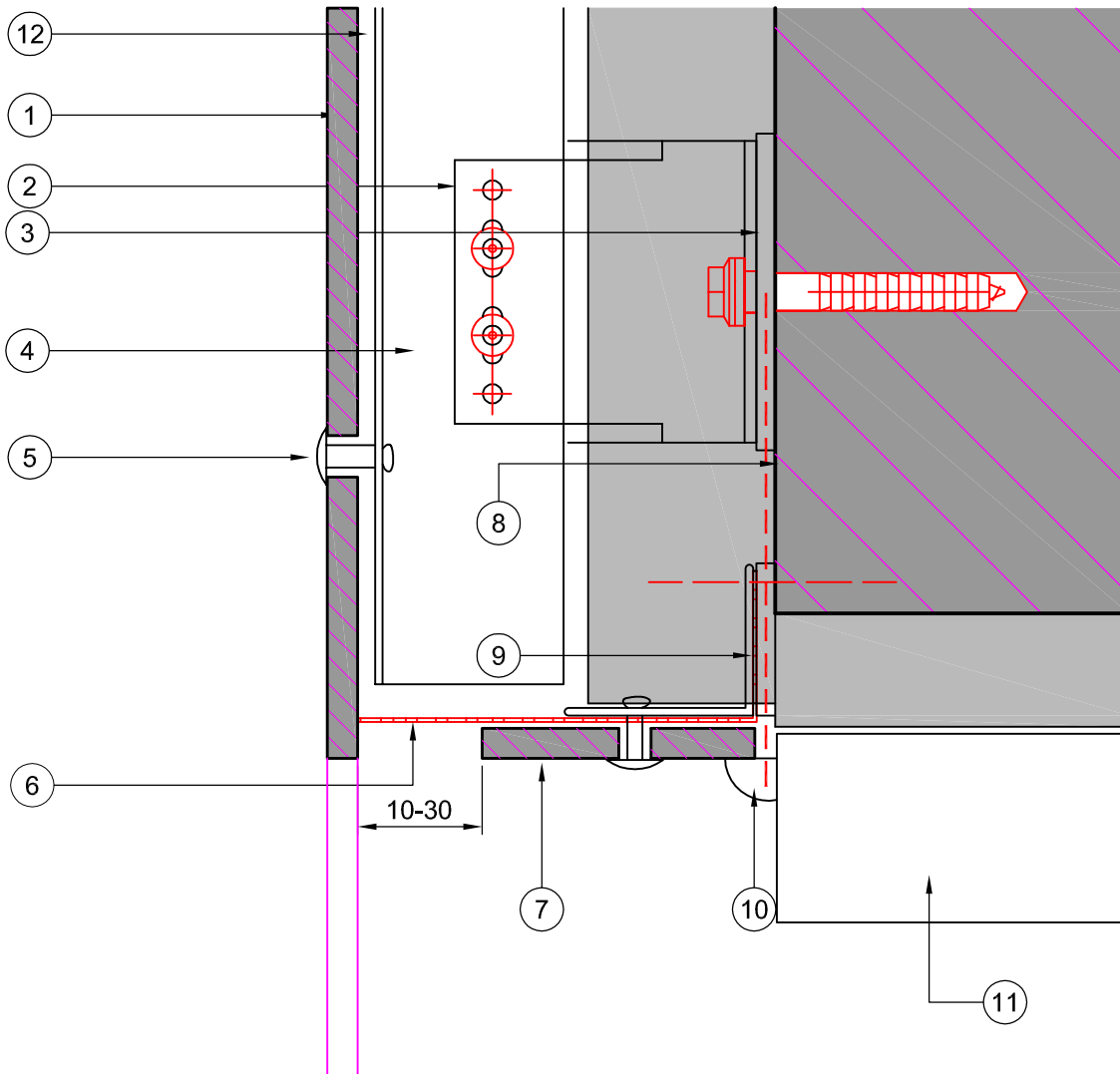
**EQUITONE**  
Fibre cement facade materials

# Legend

- 1 EQUITONE Panel
- 2 Angle bracket
- 3 Thermostop
- 4 Vertical profile
- 5 Angle bracket
- 6 EQUITONE UNI-Rivet
- 7 EQUITONE Panel reveal strip
- 8 Opening head DPC

- 9 L profile
- 10 Mastic pointing
- 11 Window Frame
- 12 Expandable foam tape

Gliding Point - fix profile via slots



**EQUITONE DETAILS** EQUITONE PANEL / METAL SUBFRAME

**DRAWING TITLE** OPE HEAD

**REF** **DATE** 2016\_06 **SCALE** 1:2

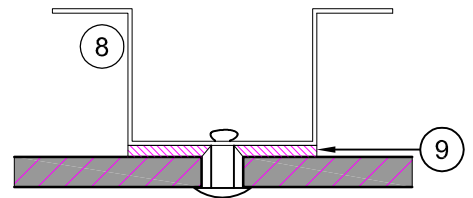
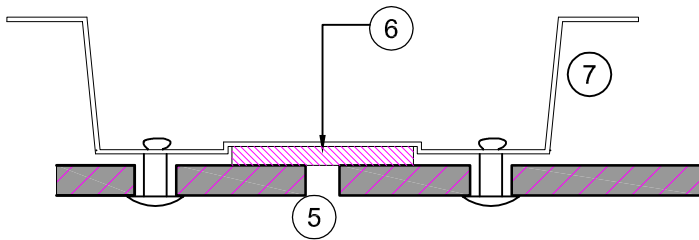
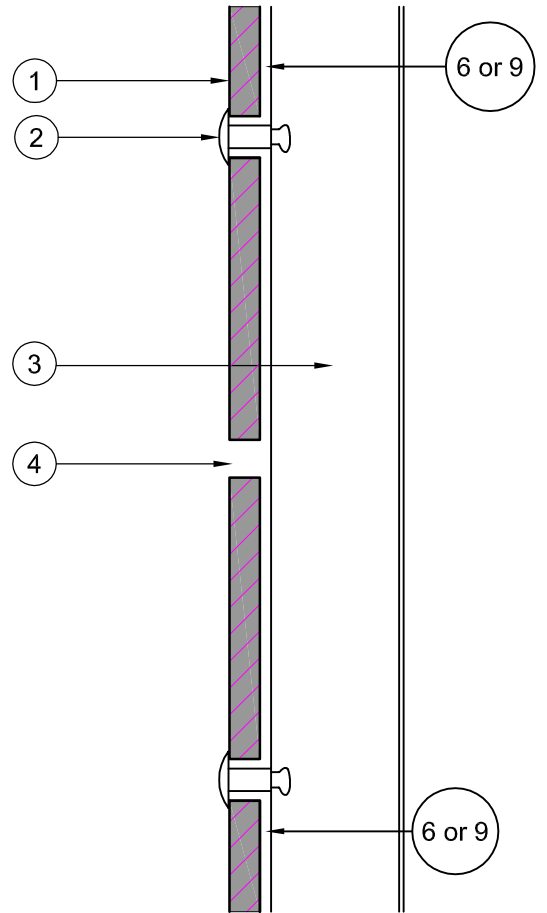
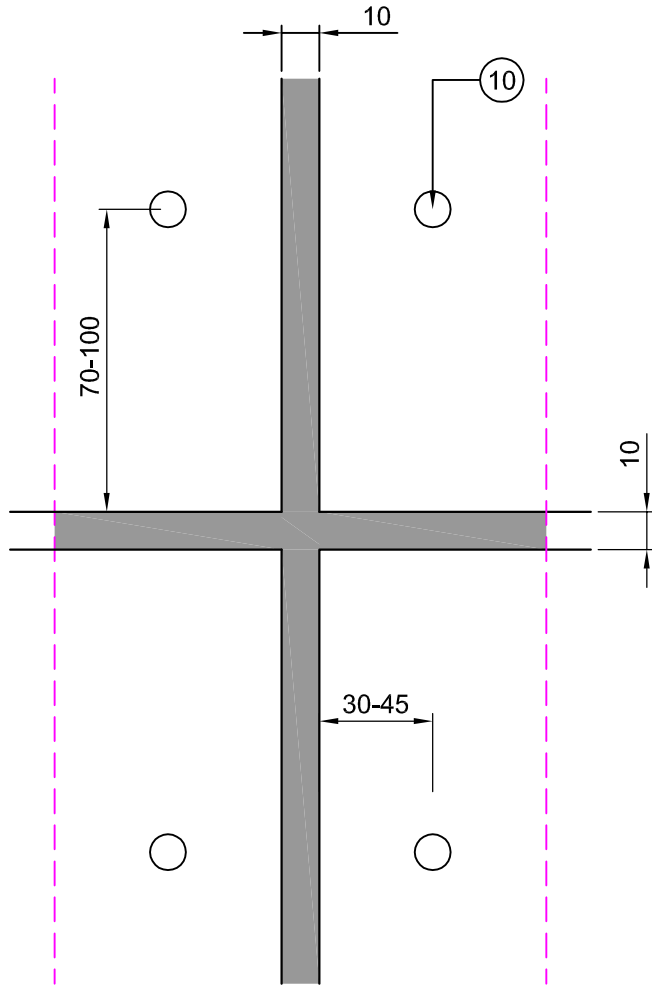
Copyright  
This information is supplied in good faith but no liability can be accepted for any loss or damage resulting from use.

**EQUITONE**  
Fibre cement facade materials

# Legend

- 1 EQUITONE Panel
- 2 EQUITONE UNI-Rivet
- 3 Vertical tophat profile (Peer)
- 4 Horizontal open joint
- 5 Vertical open joint
- 6 Tesa 61103 foam tape
- 7 Peer 120 tophat (joint profile)
- 8 Peer 50 tophat (intermediate profile)
- 9 Tesa 61102 foam tape

10 11mm pre-drilled rivet hole



**EQUITONE DETAILS** EQUITONE PANEL / PEER TOPHAT SUBFRAME

**DRAWING TITLE** OPEN JOINT DETAIL

<b>REF</b>	<b>DATE</b> 2016_01	<b>SCALE</b> N.T.S.
------------	---------------------	---------------------

Copyright  
This information is supplied in good faith but no liability can be accepted for any loss or damage resulting from use.

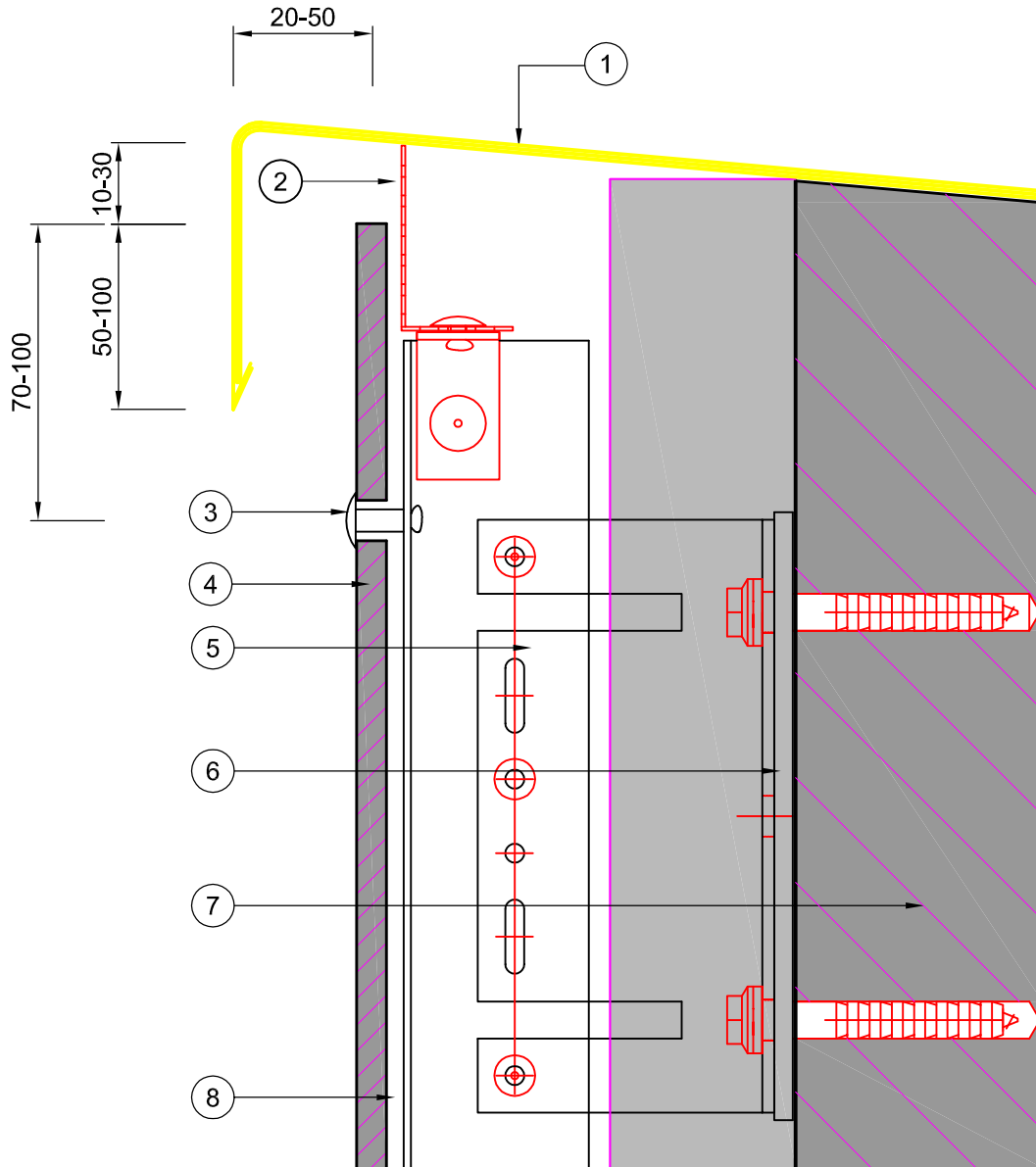
**EQUITONE**  
Fibre cement facade materials

# Legend

- 1 Parapet capping (by others)
- 2 Perforated profile for wide gaps
- 3 EQUITONE UNI-Rivet
- 4 EQUITONE Panel
- 5 Support frame angle bracket
- 6 Thermostop
- 7 Structural wall
- 8 Expandable foam tape

Fixed point - fix profile via holes

Gliding point - fix profile via slots



**EQUITONE DETAILS**    EQUITONE PANEL / METAL SUBFRAME

**DRAWING TITLE**        PARAPET DETAIL

<b>REF</b>	<b>DATE</b> 2016_06	<b>SCALE</b> 1:2
------------	---------------------	------------------

Copyright  
This information is supplied in good faith but no liability can be accepted for any loss or damage resulting from use.

**EQUITONE**  
Fibre cement facade materials